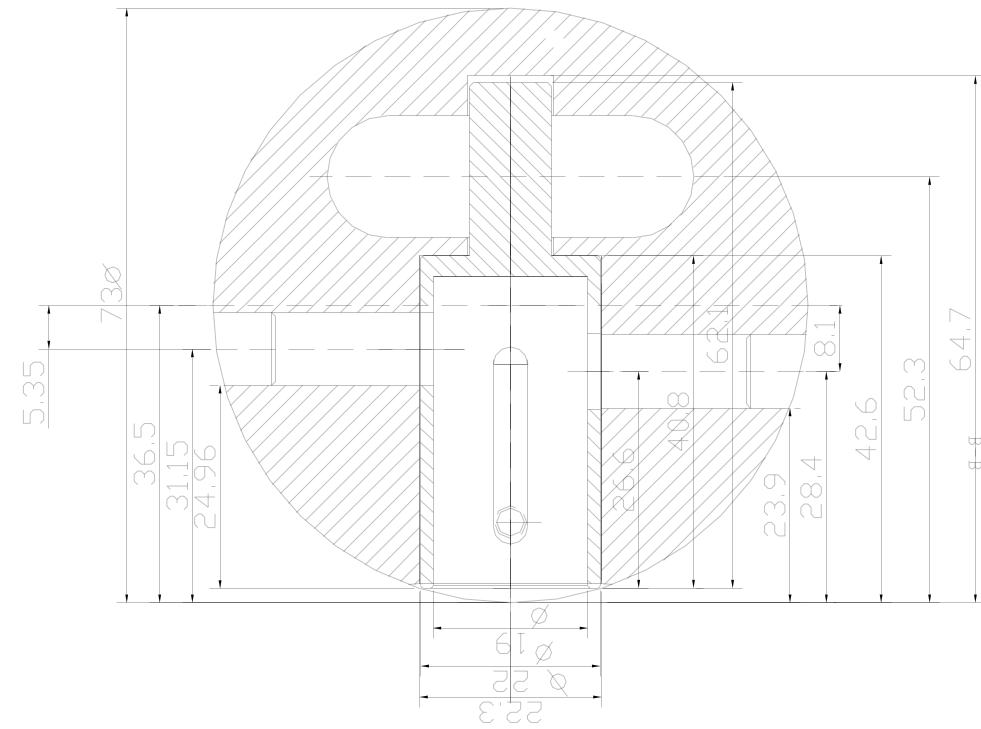
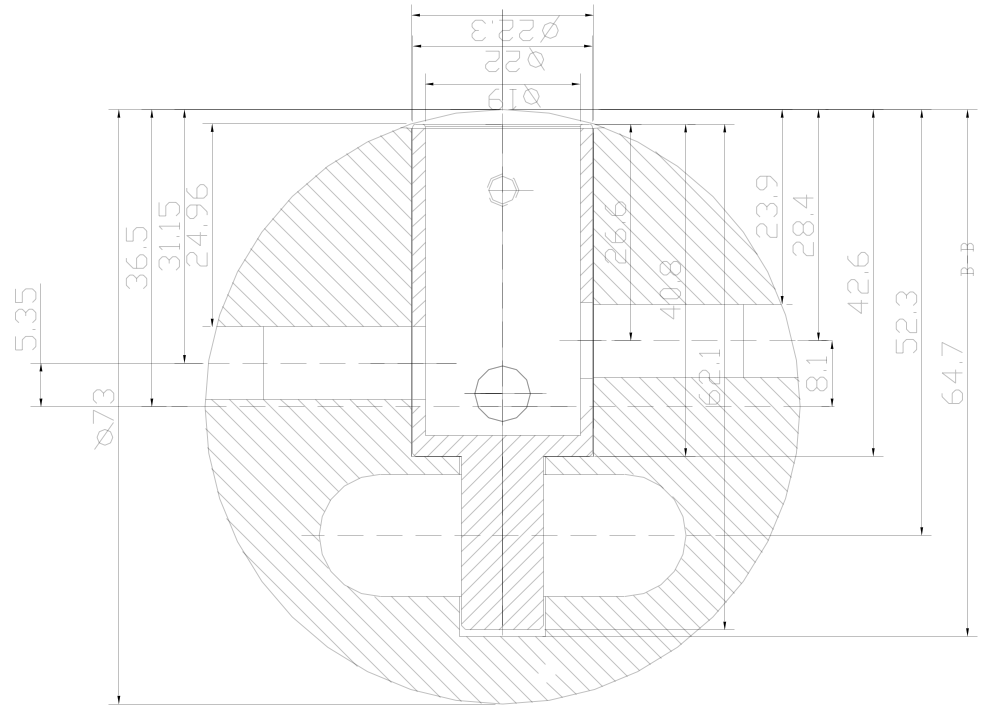


0 1 2 3 4 5 6 7 8 9 10 11 12



2008.5.21

Patent Pending



Locking Systems International Inc				Cobra Lock			
SCALE	UNIT	MATERIAL	FINISH	DESCRIPTION	PART NO.	DATE	REV
	mm	Solid Steel	Bright Chrome	Universal Puck Padlock	TF8000	5/2008	A

This document is the property of Locking Systems International Inc. It's use is conditioned upon the user agreement not to copy or reproduce the document in whole or part, or to use the document to reproduce the material described therein, or in any other purpose without the written permission of Locking Systems International Inc.

